



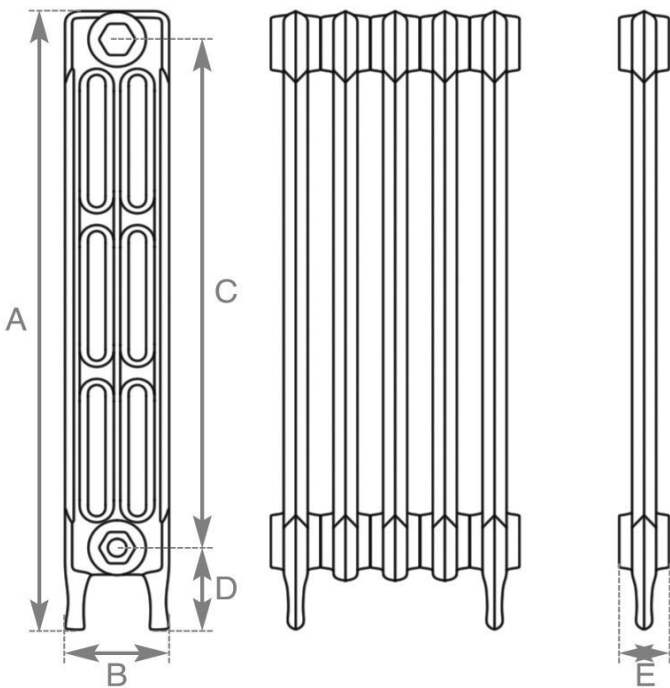
Radiators 4u

## Victorian 3 Column Clearance Radiators 735mm High

This range is competitively priced and available next day. Next working day delivery is free if ordered by 11am. Four column radiators in this style are also available.

**Delivery** - we can offer next working day delivery to almost the whole of the mainland UK, but if you live in a more remote location, please contact us and we can advise on how quickly we can deliver. Due to the size and weight of the radiators, they are delivered on a pallet, with a kerbside service, so you will need more than one person to remove them safely from the pallet and into your property. See our guide to taking delivery of cast iron radiators. Next day and clearance stock is supplied with a full 1 year manufacturer's warranty. You can buy online or call one of our radiator experts, who'll be very happy to help and advise you in your purchase of a cast iron radiator and any accessories you may require.

**Showroom** - You are welcome to visit our radiator showroom in Portsmouth and view these products.



Valves sold separately.

Total Height (A): 735mm  
 Depth (B): 120mm  
 Pitch between tappings (C): 600mm  
 Height to Tapping (D): 102mm  
 Width of Section (E): 61mm

Code	Sections	Width (mm)	Heat Output				Dry Weight (Kg)	Water Content (Litres)	Wet Weight (Kg)
			At Delta T 50		At Delta T 60				
			BTUs	Watts	BTUs	Watts			
CA-CLR-V3-735-9	9	583	2547	747	3231	945	47.3	7.6	54.8
CA-CLR-V3-735-12	12	766	3396	996	4308	1260	63.0	10.1	73.1
CA-CLR-V3-735-16	16	1010	4528	1328	5744	1680	84.0	13.4	97.4
CA-CLR-V3-735-19	19	1193	5377	1577	6821	1995	99.8	16.0	115.7

*Lengths quoted are overall including bush ends and are given in good faith. However, due to the nature of the manufacturing process tolerances can and should be expected. Quoted dimensions should therefore only be used as a guideline.*