



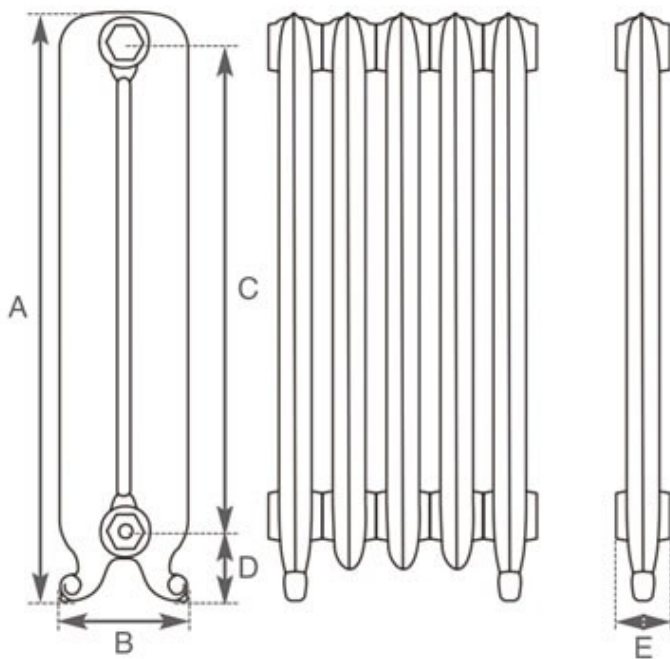
Radiators 4u

## Duchess 2 Column Clearance Radiators 785mm High

This range is competitively priced and available next day. Next working day delivery is free if ordered by 11am.

**Delivery** - we can offer next working day delivery to almost the whole of the mainland UK, but if you live in a more remote location, please contact us and we can advise on how quickly we can deliver. Due to the size and weight of the radiators, they are delivered on a pallet, with a kerbside service, so you will need more than one person to remove them safely from the pallet and into your property. See our guide to taking delivery of cast iron radiators. Next day and clearance stock is supplied with a full 1 year manufacturer's warranty. You can buy online or call one of our radiator experts, who'll be very happy to help and advise you in your purchase of a cast iron radiator and any accessories you may require.

**Showroom** - You are welcome to visit our radiator showroom in Portsmouth and view these products.



Valves sold separately.

Total Height (A): 590mm  
 Depth (B): 175mm  
 Pitch between tappings (C): 450mm  
 Height to Tapping (D): 100mm  
 Width of Section (E): 71mm

Code	Sections	Width (mm)	Heat Output				Dry Weight (Kg)	Water Content (Litres)	Wet Weight (Kg)
			At Delta T 50		At Delta T 60				
			BTUs	Watts	BTUs	Watts			
CA-CLR-D785-2-08	8	602	3056	896	3863	1132	92.8	16.0	108.8
CA-CLR-D785-2-12	12	886	4584	1343	5794	1698	139.2	24.0	163.2

*Lengths quoted are overall including bush ends and are given in good faith. However, due to the nature of the manufacturing process tolerances can and should be expected. Quoted dimensions should therefore only be used as a guideline.*