



# Chastleton Traditional Radiator Valves (Straight Manual)

**MANUAL**



| Available Finishes |               |
|--------------------|---------------|
| Chrome             | Antique Brass |
| Satin Nickel       | Pewter        |
|                    |               |
|                    |               |
|                    |               |
|                    |               |
|                    |               |
|                    |               |
|                    |               |

| Connection size    |                   |
|--------------------|-------------------|
| Valve to Radiators | 1/2" BSPT         |
| Valve to Pipe      | 15 mm Compression |

| Allen Key size              |      |
|-----------------------------|------|
| To adjust Lock-Shield       | 8 mm |
| To fit Coupler to Radiator  | 3/4" |
| Allen Keys are not included |      |

| Pressure Ratings   |                       |
|--|-----------------------|
| Max Test Pressure  | 12 Bar                |
| Max Operating Pressure   | 10 Bar                |
| Max Differential Pressure  | 1 Bar                 |
| Pressure Drop Value (Kvs)  | N/A m <sup>3</sup> /h |
| Kvs value is the metric measure for the flow of a fully opened valve. It is defined as: The volume flow in cubic metres per hour of water at a temperature of between 5° and 40° Celsius with a pressure drop across the valve of 1 bar. |                       |

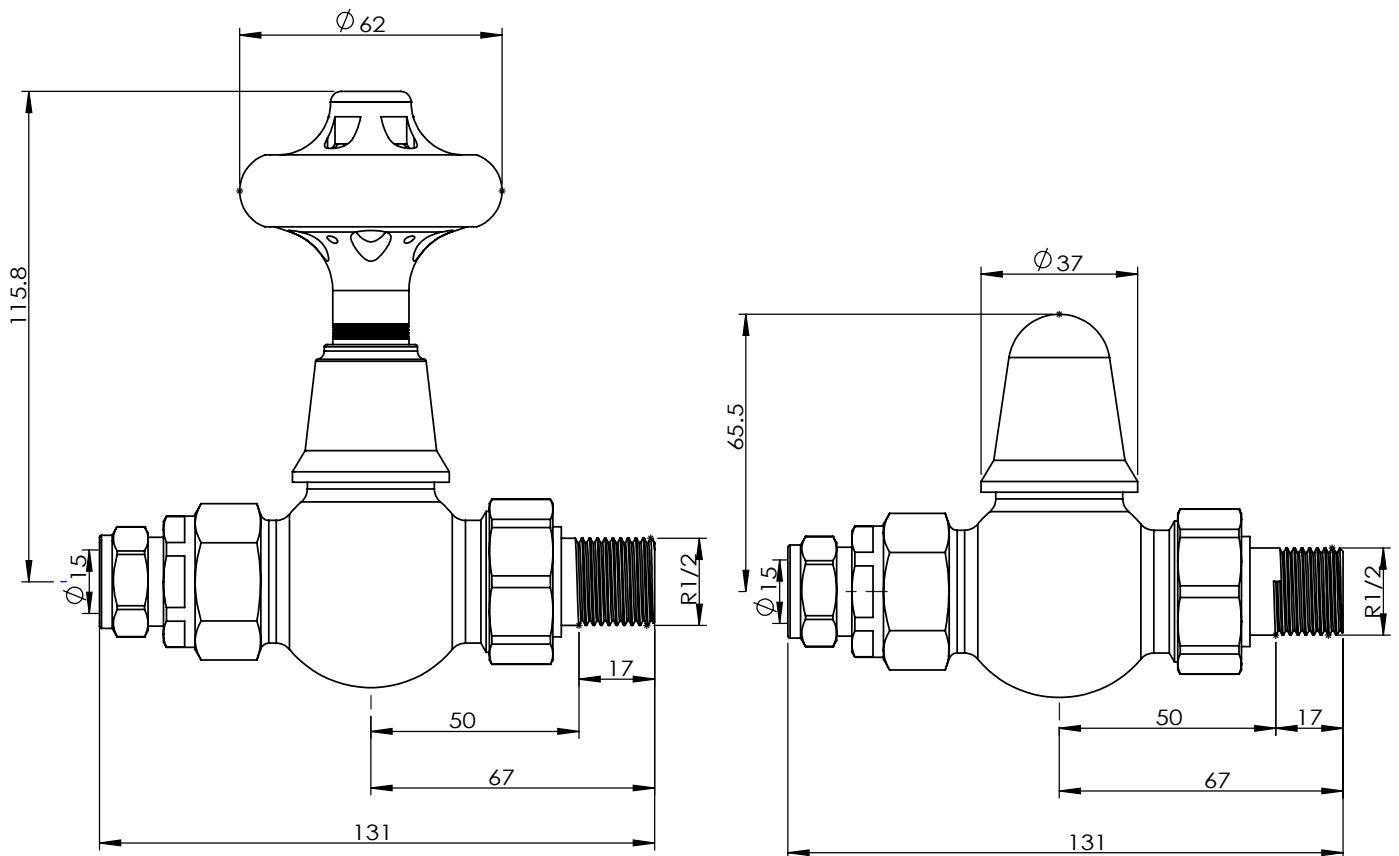
| Flow Ratings     |                       |
|------------------|-----------------------|
| Normal Flow Rate | 0.2 m <sup>3</sup> /h |
| Max Flow Rate    | 0.5 m <sup>3</sup> /h |

| Temperature Ratings          |        |
|------------------------------|--------|
| Max Test Temperature         | 120°C  |
| Max Operating Temperature    | 110°C  |
| Temperature Adjustment Range | 7-30°C |

| Disclaimer  |  |
|---|--|
| All dimensions are approximate and for roughing in only.          |  |
| We recommend no work be carried out until the goods arrive.       |  |
| We can take no responsibility for errors in information supplied. |  |



# Chastleton Traditional Radiator Valves (Straight Manual)





# Chastleton Traditional Radiator Valves (Straight Manual)

## Manual Valve Installation

Your radiator valves should only be installed by a competent and suitably qualified installer. Your warranty may be void if installation is not carried out by a suitably qualified heating engineer.

All plumbing joints should be sealed using appropriate tools, methods and materials. Never over tighten any joint or coupling.

Ensure care is taken to protect the decorative finish on the valves during installation. We would recommend applying protection (for example, at least two layers of paper between the faces of the nuts and any spanner) to ensure the surfaces are not marked.