



# Winkworth Traditional Manual Straight Radiator Valves



Connection Size	
Valve to Radiator	½" BSPT
Valve to Pipe	15mm Compression

Allen Key size	
To adjust Lock-Shield	By Hand
To fit Coupler to Radiator	12mm
Allen Keys are not included	

Pressure Ratings	
Max Operating Pressure	10 Bar
Max Differential Pressure	1 Bar

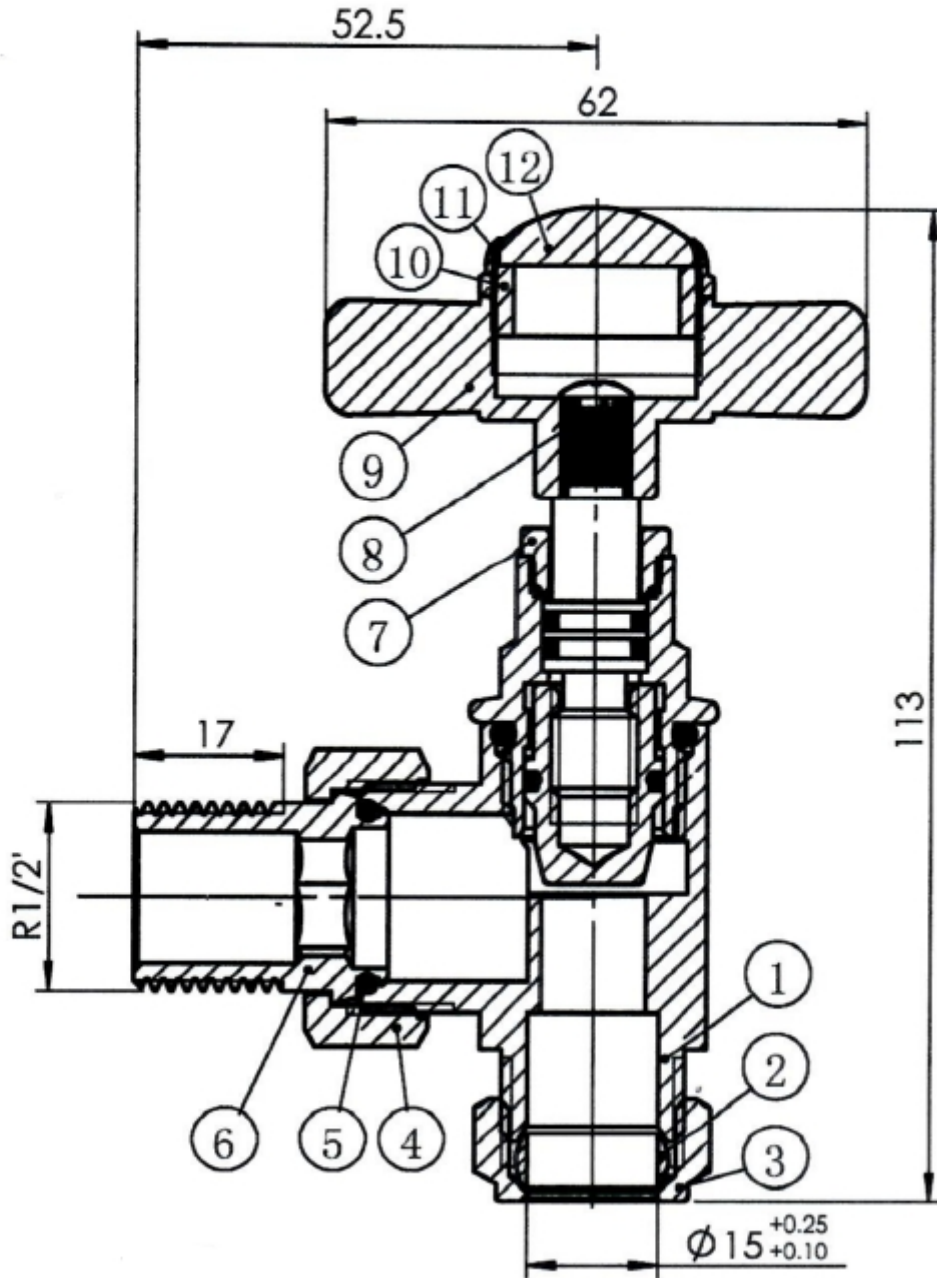
Temperature Ratings	
Max Operating Temperature	100°C

Available Finishes	
Satin Nickel	Antique Brass

Disclaimer	
<p>All dimensions are approximate and for roughing in only.            We recommend no work be carried out until the goods arrive.            We can take no responsibility for errors in information supplied.</p>	



# Winkworth Traditional Manual Straight Radiator Valves





# Winkworth Traditional Manual Straight Radiator Valves

## Identifying Parts

